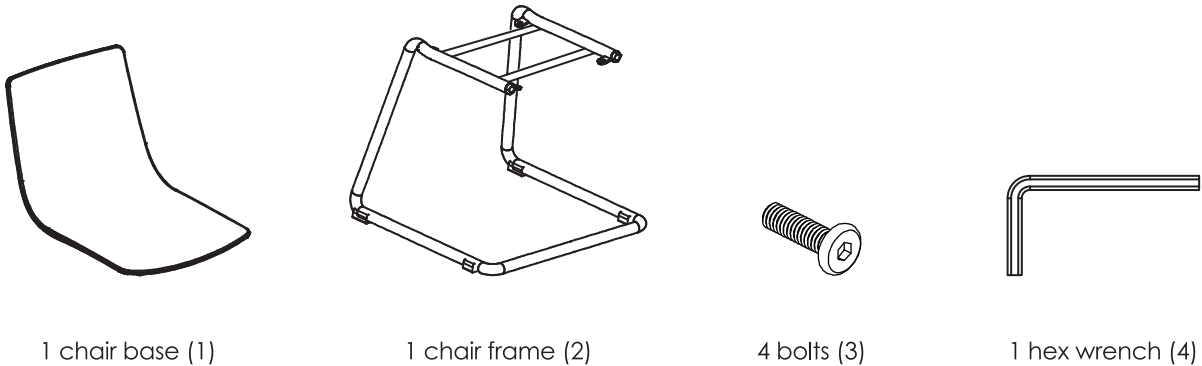
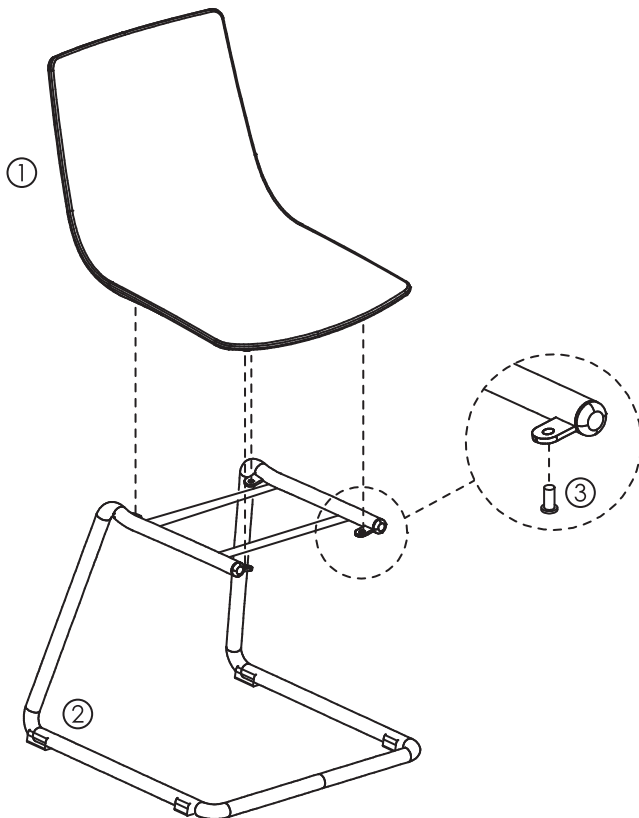


P'kolino Modern Kid's Chair

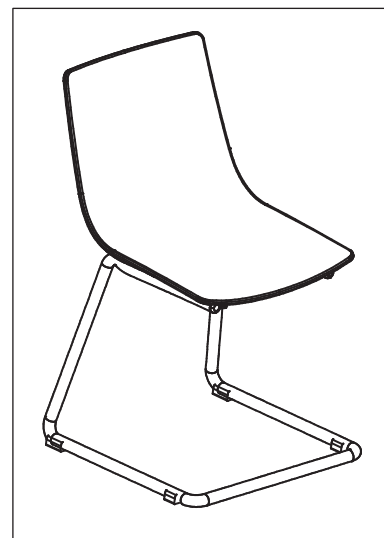
This box contains the following:



Assembly Instructions



Attach chair base (1) to chair frame (2) with 4 bolts (3) using hex wrench (4) to screw bolts in.



Use and Care Instructions

WARNING:

ADULT ASSEMBLY REQUIRED.

In unassembled state product contains small parts and sharp edges, keep out of reach of children.

California 93120 compliant for formaldehyde Phase 2 TPC-AQCARB-03

Please register this product at:
www.pkolino.com/register

Age Grading

Designed for children 3 years & older.

Maintenance

At P'kolino we design our furniture to be low maintenance, however misuse, irregular use, or improper assembly can result in product malfunction. Regularly check the stability. If pieces feel loose or wobbly tighten all screws immediately. Regularly check screws to ensure that none are loose or are coming loose. If so, tighten immediately. Use only provided hardware to assemble and maintain assembly.

Cleaning

To clean use a soft, lint free rag similar to a cloth diaper and wipe away dust regularly. If necessary dampen cloth slightly with warm water and gently rub away spots. Dry thoroughly.

Do not use a bleach solution.

Do not submerge or allow to lie in standing water.

Do not use a sponge or harsh abrasive.

Do not use all purpose cleaners or harsh detergents.

Do not use Pine Oil cleaners or abrasive household cleaners.

Do not use heat or hot water.

Return Policy

At P'kolino it is our commitment to improve play at home with products that are playfully-stylish and functionally-smart. That means, we want you and the child(ren) to love the way our products look and work. If within 10 days of receipt or your product you are not satisfied you may return it for a refund of the merchandise value.

Our products and packaging have been designed to withstand standard delivery methods, however, please inspect your product upon receipt for damage to the packaging as products damaged during shipping are subject to exchange or refund. If product has been visibly damaged it is recommended that you refuse the delivery by the carrier. Notify us of the shipment rejection and upon receipt of the rejected shipment we will send you a replacement at no charge.

To return your product, contact us and we will issue a refund or replace the product. For products with visible wear or that are not properly repackaged there will be a restocking fee of 10%. Please follow assembly, use and care instructions carefully as we will not accept returns on products damaged due to improper assembly, altered or modified products, or on items damaged from normal, excessive or unintended use. Return shipping expenses, unless otherwise specifically stated by P'kolino, will be the customers expense.

If you have questions regarding our policy please contact us at info@pkolino.com or 888-403-8992.

For products purchased through our retail partners please contact them for resolution prior to contacting P'kolino.

Warranty

P'kolino products are guaranteed to be free from defects in material and workmanship under normal and intended use for a period of 30 days from the date of your purchase.

Replacement/Credit:

If our product fails to meet our warranty during the warranty period, we will, at our option, replace the product or provide you with a replacement of comparable value.

What Our Limited Warranty Does Not Cover:

We offer this limited warranty only when the product is used by the original end-user customer. We offer no other warranty. Additionally, while our warranty is excellent, there are other limits to it. We offer NO WARRANTY in cases of damage in transit, inadequate care, abuse, abnormal use, misuse, accidents, normal wear and tear, damage due to environmental or natural elements, failure to follow product instructions, immersion in water (except for products specifically identified by us in writing as intended for water use), or improper storage or maintenance of the products.

Limitation on Damages:

IN NO EVENT SHALL P'KOLINO, LLC BE LIABLE FOR INCIDENTAL, COMPENSATORY, PUNITIVE, CONSEQUENTIAL, INDIRECT, SPECIAL OR OTHER DAMAGES. OUR AGGREGATE LIABILITY WITH RESPECT TO DEFECTIVE PRODUCTS IS LIMITED TO THE MONIES PAID TO US FOR THE DEFECTIVE GOOD.

Some states and countries do not allow the exclusion or limitation of incidental, consequential or other damages, so the above limitation or exclusion may not apply to you. This warranty gives you specific legal rights, and you may also have other rights which vary based on state, province or country.

Contact Information

Please feel free to contact us at the address listed below

P'kolino LLC
7300 NW 35th Ave
Miami, FL 33147, USA